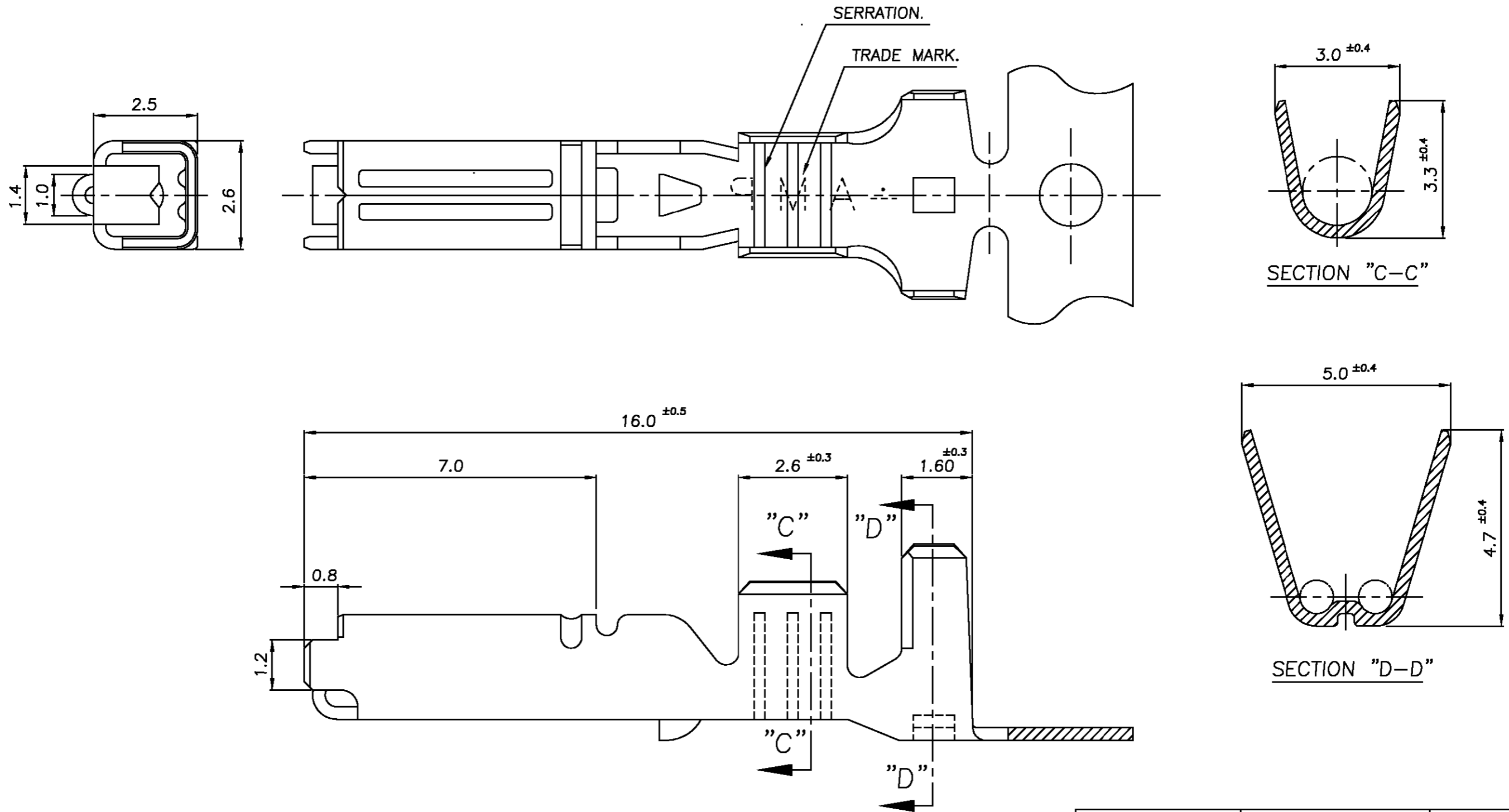


CUSTOMER DRAWING



\* NOTES;

1. TAB CONTACT P/N 85099.
2. PRODUCT SPEC. 108-5216.
3. APPLICATION SPEC. 114-5091.
4. CUSTOMER MANUAL. CM-520J(MARK-I)

PRE-TIN	BRASS 0.3t	85098 -1
FINISH	MATERIAL	PART NUMBER

© 1996 AMP MFG KOREA  
 ALL RIGHT RESERVED AMP PRODUCTS COVERED BY PATENTS  
 AND DR PATENTS PENDING

**AMP** AMP MFG KOREA  
 KYUNG SAN PLANT.

WIRE RANGE AWG No. #12 2.0 mmSQ	INSULATION DIA 2.70 DIA.	NAME "070" SERIES RECEPTACLE CONTACT.			
MATERIAL SEE TABLE	FINISH/COLOR SEE TABLE	TOLERANCES 0<XX<10 ±0.2 10<XX<30 ±0.25 30<XX<100 ±0.3 ANGLES ±3°	SIZE A3	LDC DS	NUMBER 8 5 0 9 8
DR	APP	SCALE 10/1	REV 0	SHEET 1 of 1	
CHK	REL				

O	RELEASED (RD96-289)	YM	CS	oct/08 '96
LTR	REVISION RECORD	DR	CHK	DATE

PRINT DIST.